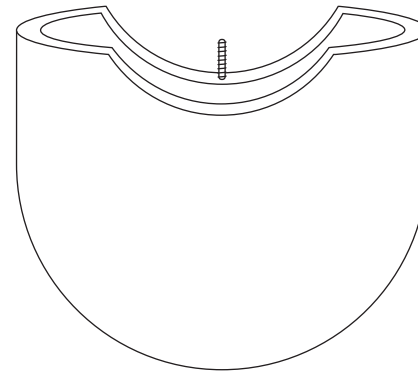
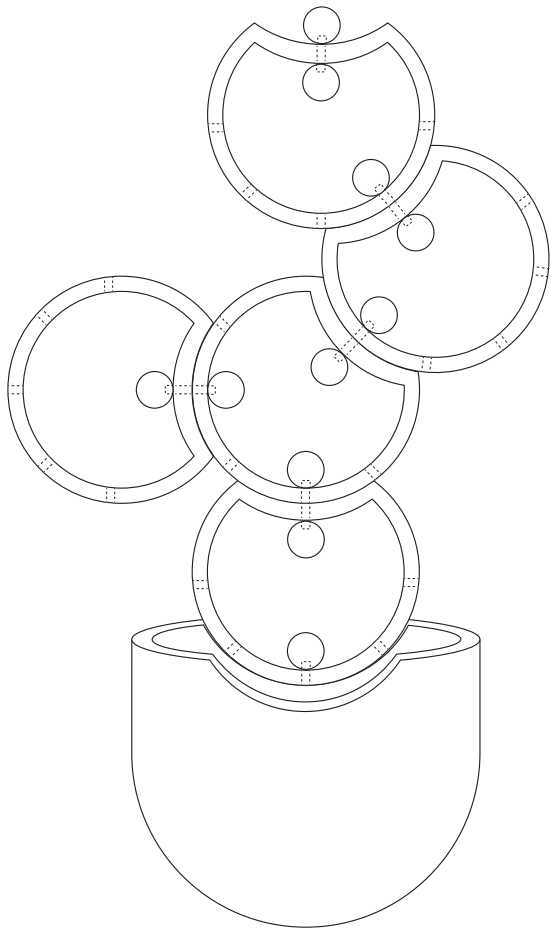
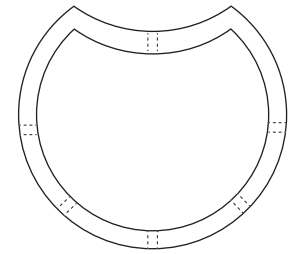


# BLUME

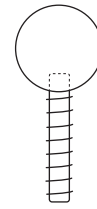
## Assembly Instructions



x1

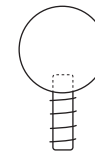


x5



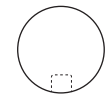
x4

Longer threaded  
knobs



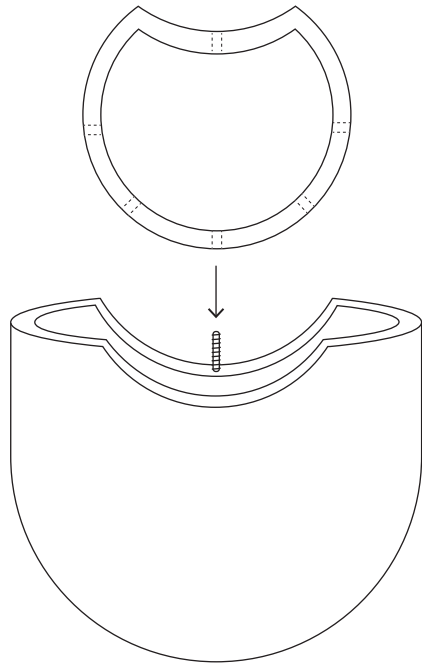
x1

Shorter threaded  
knob for the top

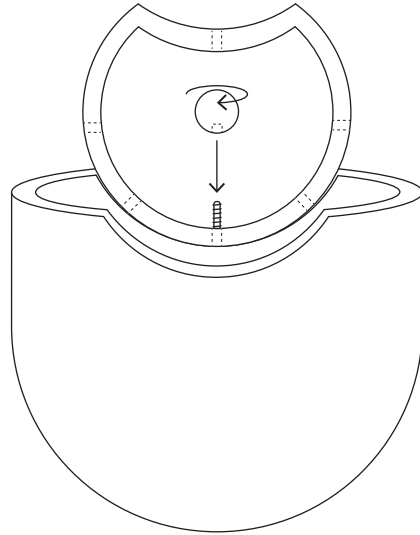


x6

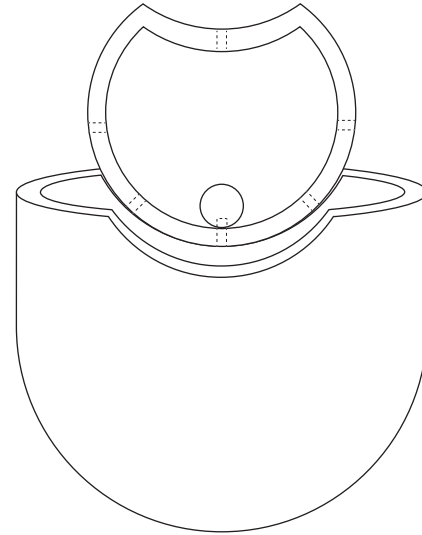
1



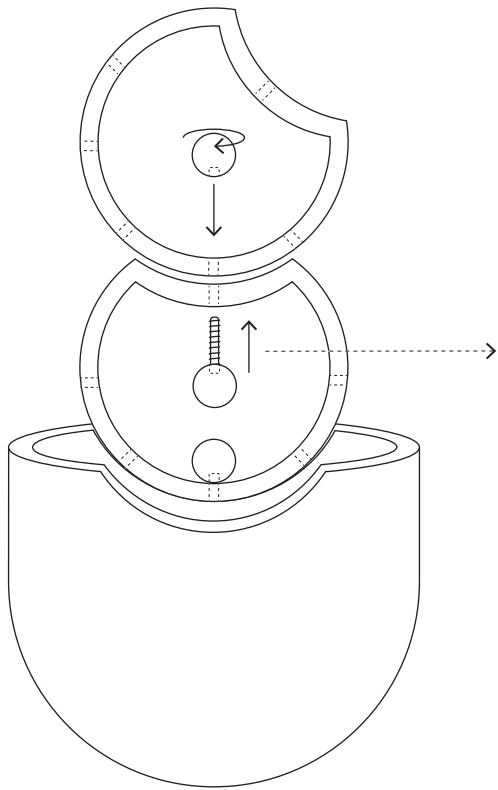
2



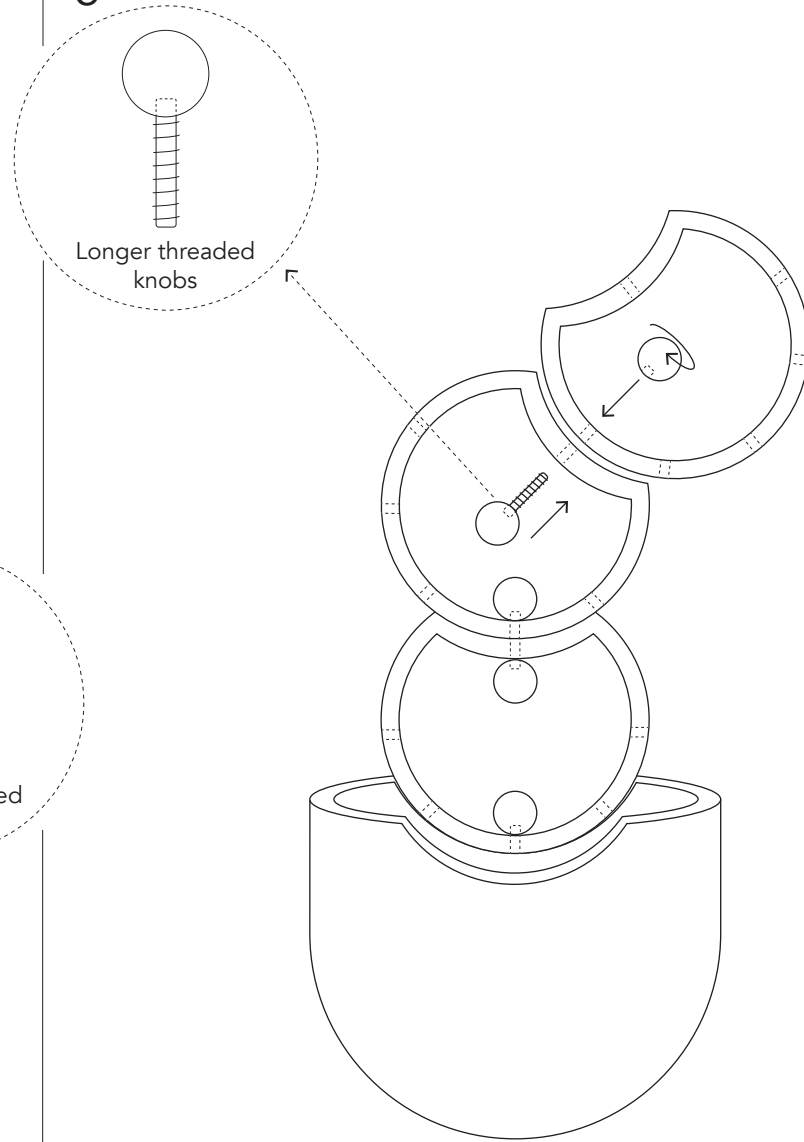
3



4

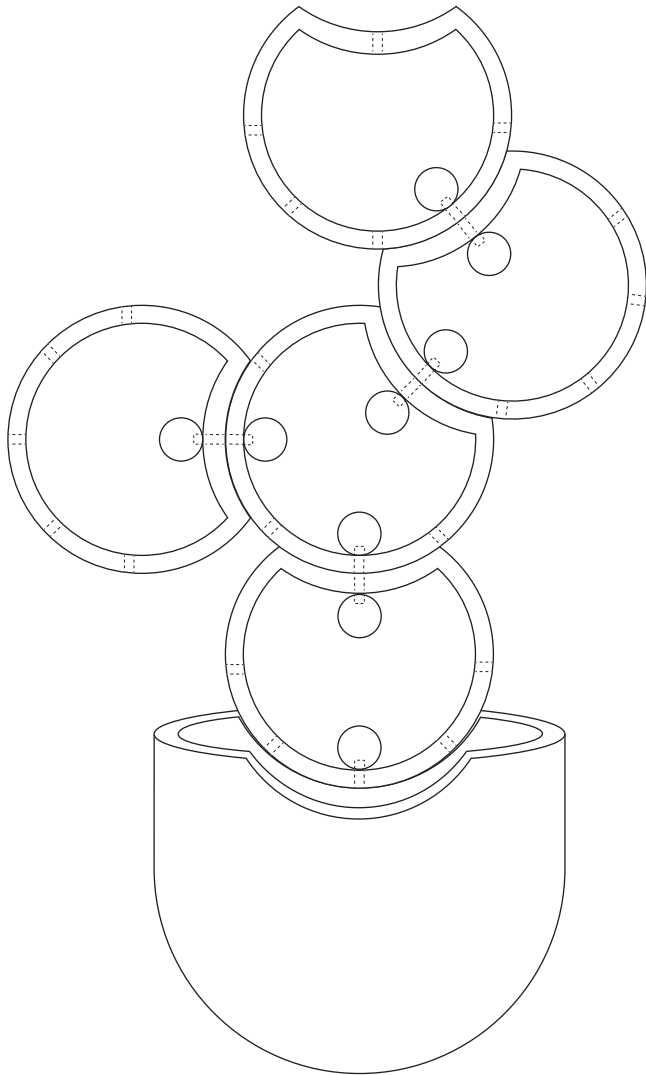


5

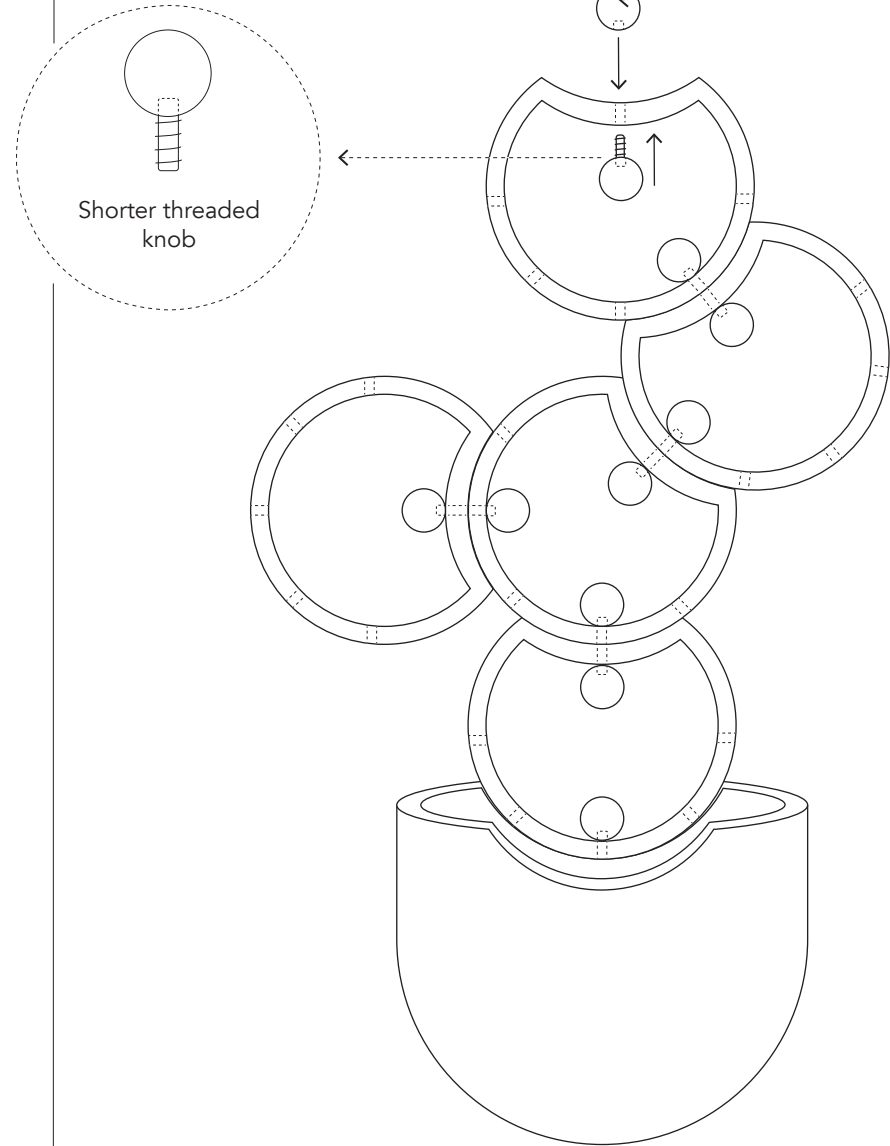


Each trellis piece has 6 holes at different angles. You can choose which angle/ direction you want your trellis to go.

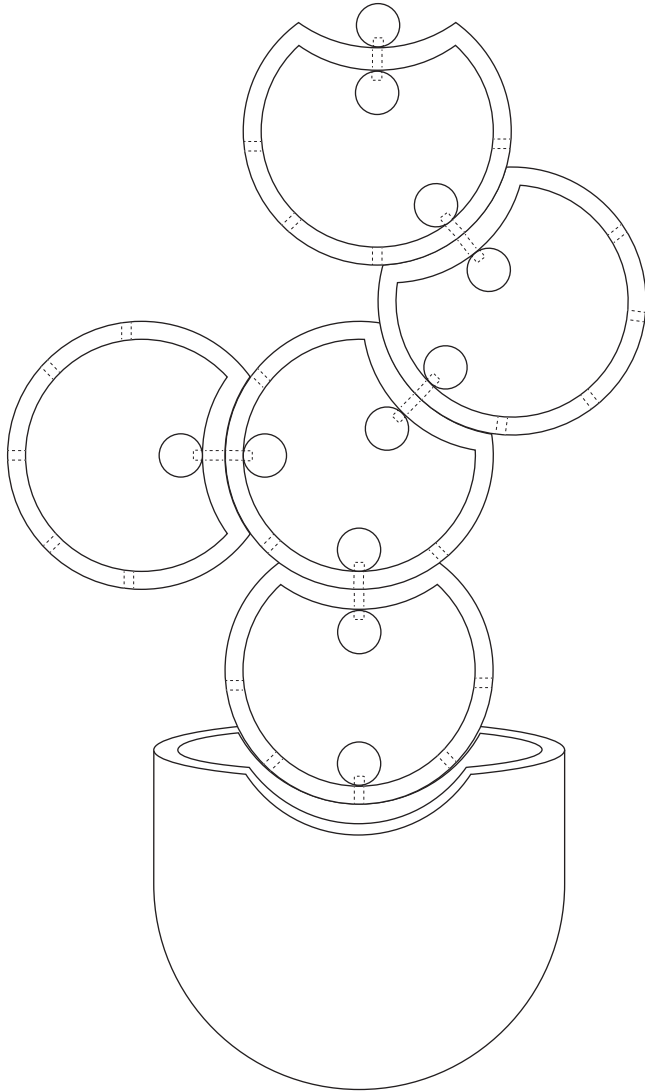
6



7



Repeat step 5 until you have achieved the shape/ direction of the trellis that you like. Your trellis could look different than what is shown. It will be custom to you.



Now you're all set to put your plant in and let the vines grow.

Option 1: Replant your plant into the Blume cement pot. Make sure to use pebbles at the bottom to get proper drainage.

Option 2. Keep your plant in the plastic growing pot it comes in and place it directly into the Blume cement pot. No need to replant.

Blume Planter accommodates up to 5 inch plastic growing pot.

If you already have a plant with long vines, simply and gently weave the vines in and around the trellis. Check to see if you like the result, and make sure your plant friend is happy. Enjoy!